



If caregivers have a choice, they choose Lopital



Lotus active standup aid



5900 8200 Lotus / 5900 8250 Lotus compact

Lotus active standup aid

Lotus active standup aid with mechanical leg spread

The Lotus is an active standup aid designed for individuals who can still stand independently and possess sufficient core stability but may have difficulty walking or are unable to walk. Caregivers can safely and efficiently move the client after they have seated themselves on the Lotus.

The Lotus is intended for short transfers, such as moving from the bed to the toilet. Because the client assumes an active seated position, less effort is required to return to a standing position. Optimal comfort is provided for both the client and the caregiver. The Lotus features swiveling seat components, comfortable lower leg support, and a leg spread function. The leg spread function allows the Lotus to be brought close to the client, enabling them to actively take a seat. The Lotus encourages the client to actively participate in transfers, which helps train muscles and promotes independence.

The Lotus is designed for users with an average height between 1m60 and 1m95 (5'2" and 6'4").

The Lotus compact is designed for users with an average height between 1m30 and 1m65 (4'3" and 5'4").



- Maximum load capacity of 200 kg
- Rotating seat sections
- Mechanical leg spreading
- Wheel locking
- Variable contact points
- Comfortable lower leg supports
- Ideal seating angle
- Convenient maneuvering handle
- Smooth rotating joints
- Sturdy footplate
- 2 Plastic lockable swivel wheels
- Adjustable leg support
- Antibacterial coating on frame.
- Smooth finish for optimal cleaning and disinfection.

5900 8200 Lotus

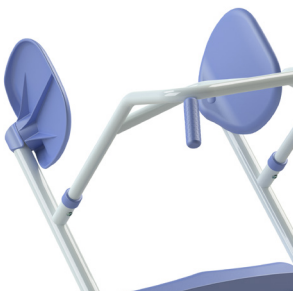




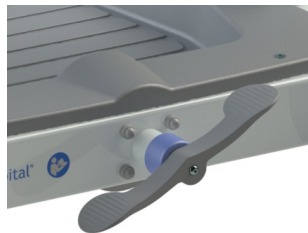
Suitable for people with a mild to moderate disability



5900 8250 Lotus compact



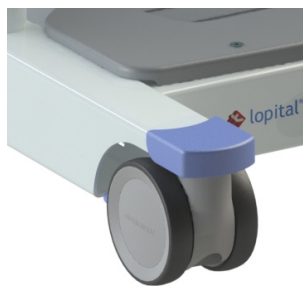
Rotating seat parts.



Mechanical base spreading.



Variable contact points.



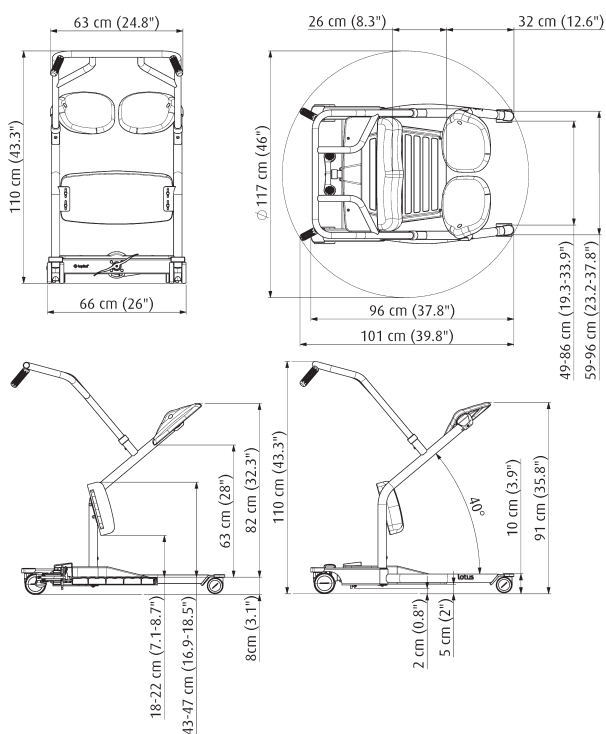
Wheel locking.



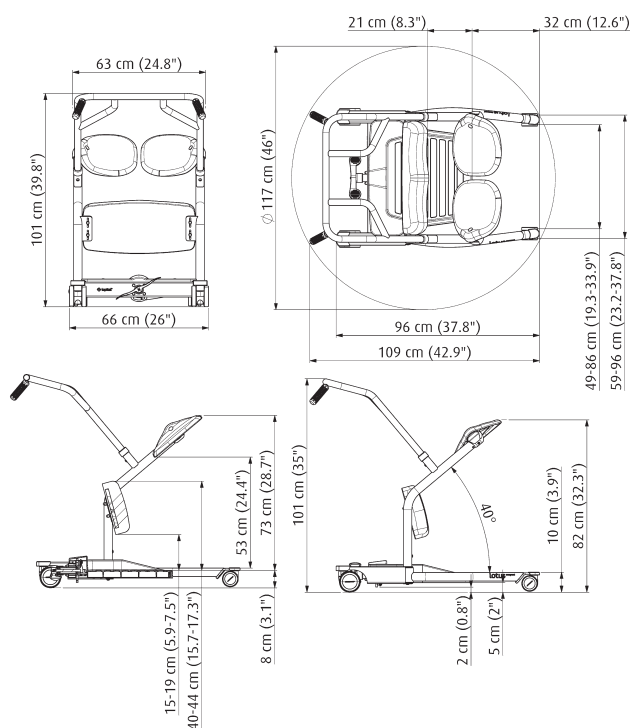
Comfortable lower leg support.

Technical specifications

| Product no. | Product description | Material | Lifting capacity kg/lbs | Length x width x height | Width legs | Mechanical base spreading | Weight kg | Weight lbs | Client length |
|-------------|---------------------|----------|-------------------------|-----------------------------------------------|--------------|--------------------------------|-----------|------------|------------------------------|
| 5900 8200 | Lotus | steel | 200 kg 440 lbs | 96 cm x 66 cm x 109 cm 37,8" x 26" x 43,3" | 66 cm 26" | 49 cm - 86 cm 19,3" - 33,9" | 32 | 77 | 160 cm - 195 cm 63" - 77" |
| 5900 8250 | Lotus compact | steel | 200 kg 440 lbs | 96 cm x 66 cm x 101 cm 37,8" x 26" x 39,8" | 66 cm 26" | 49 cm - 86 cm 19,3" - 33,9" | 32 | 77 | 130 cm - 165 cm 51" - 65" |



Lotus



Lotus compact



For more information, also visit our website: www.lopital.com

Lopital Nederland B.V., Laarakkerweg 9, 5061 JR Oosterwijk, Postbus 56, 5060 AB Oosterwijk, The Netherlands
Tel +31 (0)13 5239300, E-mail info@lopital.nl, www.lopital.com



All the aids produced by Lopital comply with the applicable standards for medical devices Class 1 (MDR (EU) 2017/745).

