



If caregivers have a choice, they choose Lopital



Instructions for use Lotus Actieve Standup Aid



Instructions for use

Lotus, Lotus compact & Lotus XL standup aid



Lotus: 5900 8200

Basic UDI-DI: 872025610361559008200PZ



Lotus compact: 5900 8250

Basic UDI-DI: 872025610332559008250NG



Lotus XL: 5900 8270

Basic UDI DI: 872025610364659008270U2



If caregivers have a choice, they choose Lopital

Important:

Please read these instructions carefully before using the Lotus, Lotus compact, or Lotus XL.

Date of first use

User

















Name

Address

Manufacturer

Lopital Nederland B.V.
 Laarakkerweg 9, 5061 JR Oisterwijk, the Netherlands
 T +31 (0)13 5239300
 www.lopital.com, info@lopital.nl

All aids produced by Lopital comply with the applicable standards for Class 1 medical products (MDR (EU) 2017/745).

Explanation of symbols in 'instructions for use' and on labels			
	Attention		Follow the instructions for use
	Manufacturer information		Read cleaning and disinfection protocol
	Production date		Temperature
	Conformité Européenne		Air pressure
	Article number		Humidity level
	Serial number		Antibacterial
	Medical device		Maximum load
	GS1 Datamatrix containing the following information: (01) Global Trade Item Number (internationally unique item number) (11) Production date (21) Serial number		Keep the device away from heat, hot surfaces, sparks, open flames, and other ignition sources. No smoking.

Contents

1. Introduction	5
1.1. Introduction.....	5
1.2. Safety.....	5
1.3. Warranty.....	7
2. Use	8
2.1. First use	9
2.2. Using the Lotus/ Lotus compact/ Lotus XL.....	9
3. Operation	10
3.1. Wheel lock	10
3.2. Base spreading	11
3.3. Rotatable sitting parts	11
3.4. Adjustable lower leg support.....	12
4. Cleaning and maintenance	12
5. Environmental conditions	13
6. Removal of parts	14
7. Technical specifications.....	14
7.1. Structure.....	14
7.2. Dimensions	15

1. Introduction

1.1. Introduction

The Lotus / Lotus compact / Lotus XL is an active standup aid designed for individuals who can still stand independently and have sufficient trunk stability, but may have difficulty walking or are unable to walk. After the client has seated themselves on the Lotus / Lotus compact / Lotus XL, the caregiver can safely and efficiently move them. The Lotus / Lotus compact / Lotus XL is intended for short transfers, such as moving from the bed to the toilet. Because the client assumes an active seated position, less effort is required to return to a standing position.



The frame of the Lotus / Lotus compact / Lotus XL is equipped with an antibacterial coating containing silver ions. This silver-ion-based antibacterial coating prevents harmful microorganisms like bacteria, fungi, and algae from multiplying and spreading. Its effectiveness has been confirmed in various tests, reducing pathogens by up to 99.99% in a short time. The coating only affects bacteria on the surface and not airborne microorganisms. It does not protect users or others against pathogenic bacteria, germs, viruses, or other harmful organisms. When the surface is dirty, the antibacterial effect is reduced, so regular cleaning and disinfection remain essential.

The expected technical lifespan of the Lotus / Lotus compact / Lotus XL is 10 years, provided daily and periodic maintenance is performed according to the manufacturer's maintenance schedule. (See chapter 4, *cleaning and maintenance*).

The Lotus / Lotus compact / Lotus XL is a class 1 medical device with CE marking in accordance with MDR (EU) 2017/745..

1.2. Safety



A failure to comply with the following safety points and the further definitions in these instructions for use could lead to hazardous situations. Please read carefully before use.

Use

- Ensure you maintain contact with the client at all times when using the Lotus / Lotus compact / Lotus XL.
- Ensure the seat components are rotated downward before the client sits and you start moving the Lotus / Lotus compact / Lotus XL.

- Make sure the seat components are securely clicked into the snap lock
- Verify that the client's height is suitable for the Lotus / Lotus compact / Lotus XL (*see technical specifications, chapter 7*).
- Ensure the client always holds the handlebars when moving the Lotus / Lotus compact / Lotus XL.
- The client must sit on both seat halves; sitting on only one seat half may lead to instability.
- Ensure the client's feet are correctly positioned on the footplate when using the Lotus / Lotus compact / Lotus XL.
- Instruct the client before moving the Lotus / Lotus compact / Lotus XL.
- Be mindful of obstacles when moving the Lotus / Lotus compact / Lotus XL.
- Do not exceed the maximum load of 200 kg for the Lotus and Lotus compact, and 227 kg for the Lotus XL.
- The Lotus / Lotus compact / Lotus XL is only suitable for the transfer and care of one person at a time.
- Only use original parts supplied by Lopital. Using non-original parts may lead to hazards.
- Use the Lotus / Lotus compact / Lotus XL in a clean and organized work environment.
- The Lotus / Lotus compact / Lotus XL can be safely used in a wet area (such as a bathroom).
- The Lotus / Lotus compact / Lotus XL is not suitable as a shower aid.
- Pool environments are not considered "normal conditions" and may shorten the lifespan of certain components.
- The Lotus / Lotus compact / Lotus XL is for indoor use only.
- Operation of the Lotus / Lotus compact / Lotus XL is only permitted by demonstrably qualified personnel.
- Do not use the Lotus / Lotus compact / Lotus XL on surfaces with a sideways slope greater than 5 degrees.
- Do not use the Lotus / Lotus compact / Lotus XL on surfaces with a forward or backward slope greater than 10 degrees.

Maintenance

- The Lotus / Lotus compact / Lotus XL must be inspected and serviced at least once a year.
- Service and maintenance on the Lotus / Lotus compact / Lotus XL is only permitted by qualified personnel.
- Replacement of structural parts of the Lotus / Lotus compact / Lotus XL is only permitted by personnel qualified by Lopital.

- Service and maintenance must not be performed while a client is on the Lotus / Lotus compact / Lotus XL.
- If erroneous use, transport, an accident or improper maintenance leads to deformation of the Lotus / Lotus compact, it may no longer be used and you must contact the supplier.

In the event of malfunctions, please contact Lopital or your local supplier.

Email: info@lopital.nl



The Lotus / Lotus compact / Lotus XL should only be operated by qualified personnel who also have experience working with the target user group and have viewed the instruction/training videos on the Lopital website.



The Lotus / Lotus compact / Lotus XL is developed and manufactured for use in a professional care environment.



Making modifications to the structure may compromise the safety of the Lotus / Lotus compact / Lotus XL. Additionally, such modifications void the liability and warranty conditions of Lopital, and the Lotus / Lotus compact / Lotus XL will no longer comply with MDR (EU) 2017/745 regulations for medical devices.



If a serious incident occurs related to this medical device that affects the caregiver or the client, it must be reported to Lopital or the distributor of the medical device.

1.3. Warranty

Lopital products are guaranteed for 5 years against structural and/or material defects. If there are different terms, the exact warranty period is listed on your invoice, which also serves as your warranty certificate. Wear-prone parts are not covered by the warranty unless there is a structural and/or material defect.

2. Use

The images below label the parts of the Lotus / Lotus compact / Lotus XL.



	MD _____	
Laarakkerweg 9 5061 JR Oisterwijk The Netherlands T: (031)13-5239300	REF _____	
IPX: _____ Weight: -- kg Type battery: --- Drives operates:-- V Charge:--V-- mA Non continuous:-----	SN _____ -- KG/--LBS	
	_____ Revision: (01)----- (11)----- (21)-----	

2.1. First use

Before using the Lotus / Lotus compact / Lotus XL, check that the parts listed on page 8 are present. These parts can be replaced if damaged by authorized personnel. These are the applied parts of the Lotus / Lotus compact / Lotus XL, and may come into contact with the user(s) during use.

2.2. Using the Lotus / Lotus compact / Lotus XL

Step 1

Move the Lotus / Lotus compact / Lotus XL close to the client and rotate the seat components (*see section 3.3 Rotatable seat components*).

Step 2

If necessary, spread the legs of the Lotus / Lotus compact / Lotus XL and move it as close as possible to the client. Instruct the client to place their feet on the footplate, ensuring that their shins are against the lower leg support (*see section 3.2 Leg spread*).

Step 3

The Lotus / Lotus compact / Lotus XL should have the wheel lock engaged during client transfer (*see section 3.1 Wheel lock*).

Step 4

The client can now stand up. They can use the vertical handlebars to pull themselves up into a standing position.

Step 5

Rotate the seat components back and ensure they click into the snap lock. The client can now sit on the Lotus / Lotus compact / Lotus XL.

Step 6

Disengage the wheel lock on the Lotus / Lotus compact / Lotus XL when you wish to move it (*see section 3.1 Wheel lock*).

Step 7

If necessary, set the leg spread to the narrow position. Move the client to the chair, wheelchair, toilet, or bed (*see section 3.2 Base spreading*).

Step 8

If necessary, spread the legs of the Lotus / Lotus compact / Lotus XL and move it as close as possible to the chair, wheelchair, toilet, or bed.

Step 9

The Lotus / Lotus compact / Lotus XL should have the wheel lock engaged during client transfer (see section 3.1 Wheel lock).

Step 10

Allow the client to stand up. The client can use the vertical handlebars to pull themselves up into a standing position.

Step 11

Rotate the seat components away. The client can now sit on the chair, wheelchair, toilet, or bed.

Step 12

Instruct the client to remove their feet from the footplate. Disengage the wheel lock on the Lotus / Lotus compact / Lotus XL when you wish to move it.

3. Operation

3.1. Wheel lock

The Lotus / Lotus compact / Lotus XL has two lockable wheels on the caregiver's side. The two smaller swivel wheels are non-lockable.

- The Lotus / Lotus compact / Lotus XL can be locked by pressing down on the brake lever (1) on the wheel (see figure 1).
- To unlock the Lotus / Lotus compact / Lotus XL, move the same brake lever on the wheel upward. Both in the seated position and in the swiveled-away position, the seat components are lightly clamped. This prevents the seat from rotating away when the client sits on the Lotus (2) (see figure 2).

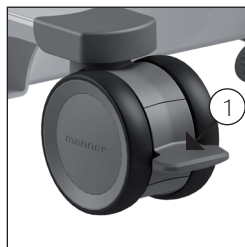


Figure 1 Activate wheel lock

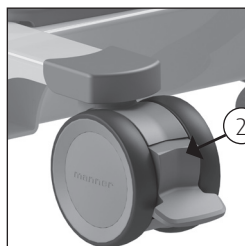


Figure 2 Deactivate wheel lock

3.2. Base spreading

The Lotus / Lotus compact / Lotus XL can be used as a standup aid with shower toilet chairs, shower stretchers, beds, toilets, chairs, and wheelchairs. The Lotus / Lotus compact / Lotus XL is equipped with a mechanical leg spread. This function allows the Lotus / Lotus compact / Lotus XL to be moved close to the client. In the narrow position, the Lotus / Lotus compact / Lotus XL is easy to maneuver in smaller spaces. Pressing down on the pedal to the left causes the legs to move inward.



Figure 3 Pedal base spreader



Figure 5 Small position



Figure 5 Wide position

3.3. Rotatable sitting parts

The Lotus / Lotus compact / Lotus XL is equipped with two comfortable seat components that can be rotated away. Both in the seated and rotated-away positions, the seat components are lightly clamped via a snap lock. This prevents the seat components from rotating away when the client is seated on the Lotus. Before positioning the Lotus / Lotus compact / Lotus XL in front of the client, rotate both seat components away (see figure 7). Allow the client to sit on the Lotus / Lotus compact / Lotus XL. Ensure that their feet are positioned in the center of the footplate and that their shins are against the lower leg support. The client can now pull themselves up. Rotate the seat components back so the client can sit down (see figure 6).

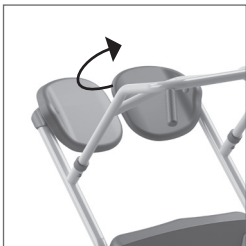


Figure 6 Sitting parts

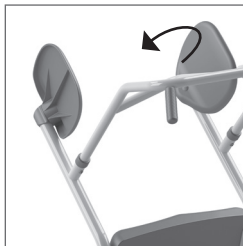


Figure 7 Sitting parts rotated away

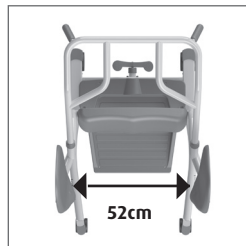


Figure 8 Lotus XL extra wide entry width

3.4. Adjustable lower leg support

The Lotus / Lotus compact / Lotus XL is equipped with an adjustable lower leg support. Loosen the cross knobs and slide the lower leg support to the desired height. Then, retighten the cross knobs. Before using the Lotus / Lotus compact / Lotus XL, ensure the cross knobs are properly tightened.



Figure 9 Cross knobs

4. Cleaning and maintenance

The Lotus / Lotus compact / Lotus XL should be cleaned after each use with water and regular household cleaning agents. PUR integral foam parts with IMC coating should preferably be cleaned and disinfected by wiping. Do not use abrasive cleaners or other harsh solvents. If necessary, PUR parts can be disinfected with a 70% ethanol or propanol solution.

The contact time of these agents has a significant impact on the lifespan of the PUR parts. Due to the material properties of PUR, contact with sharp objects should be avoided, as this can lead to damage or cracks in the material. Lastly, we advise that even non-critical parts of the PUR components should also be cleaned and disinfected.

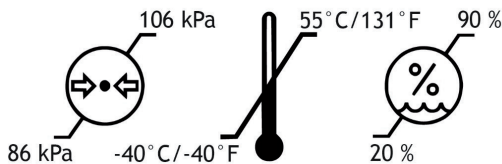
Check the wheels regularly for hairs, dust and soap residues and remove when necessary. Maintenance and repair of the Lotus / Lotus compact / Lotus XL should only be performed by authorized personnel.

Maintenance schedule	
After every use	<ul style="list-style-type: none"> • Clean the Lotus / Lotus compact / Lotus XL with water and regular household cleaning agents. • Clean and disinfect the lower leg support and seat components.
Weekly	<ul style="list-style-type: none"> • Check the wheels for hair, dust, and soap residue, and remove these if needed. • Check that the Lotus / Lotus compact / Lotus XL is functioning properly.
Annually	<ul style="list-style-type: none"> • In accordance with MDR (EU) 2017/745 regulations for medical devices, the Lotus / Lotus compact / Lotus XL must be maintained following the manufacturer's guidelines. The maintenance protocol can be found on the Lopital website (www.lopital.nl).

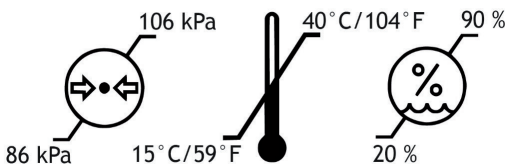
For a complete cleaning and disinfection guide, refer to the cleaning and disinfection protocol on the Lopital website (www.lopital.nl/downloads-videos).

5. Environmental conditions

- Environmental conditions during storage and transport



- Environmental conditions during use



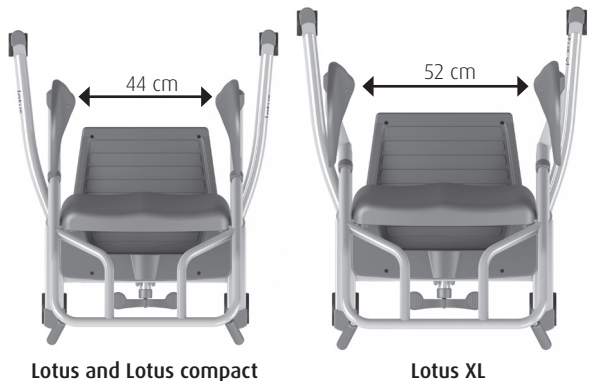
6. Removal of parts

All parts that are replaced or removed can be returned to Lopital or your supplier. It is also possible to offer these parts to the technician for disposal. We will ensure that all parts are processed in an environmentally friendly manner.

7. Technical specifications

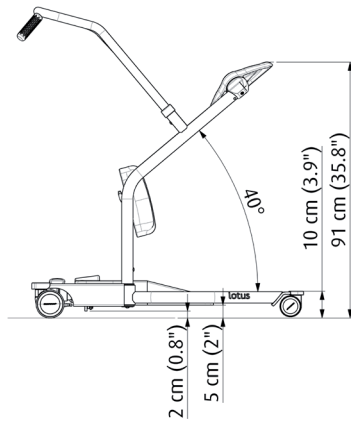
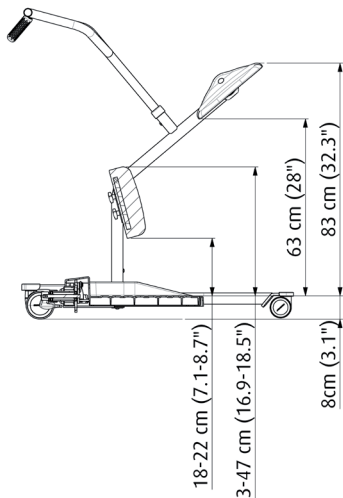
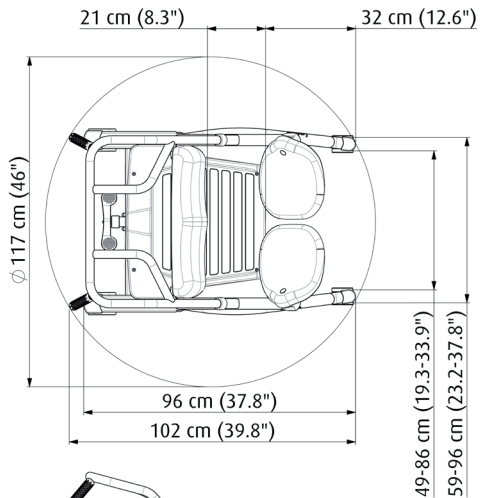
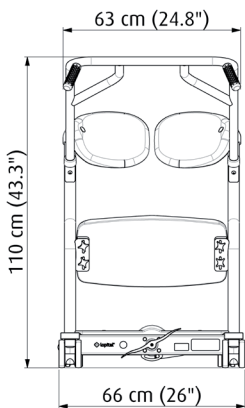
7.1. Structure

Frame:	Steel tubes, sections, and plates with antibacterial coating
Footplate:	ABS with PMMA coating
Seat:	Glass fiber-filled PA
Fasteners:	Stainless steel + galvanized steel
Weight:	Lotus: 32 kg / 70 lbs Lotus compact: 32 kg / 70 lbs Lotus XL: 32 kg / 70 lbs
Maximum permitted load:	Lotus: 200 kg / 440 lbs Lotus compact: 200 kg / 440 lbs Lotus XL: 227 kg
Length client:	Lotus: 1m65 - 1m95 / 5'5" - 6'5" Lotus compact: 1m35 - 1m65 / 4'5" - 5'5" Lotus XL: 1m65 - 1m95 / 5'5" - 6'5"

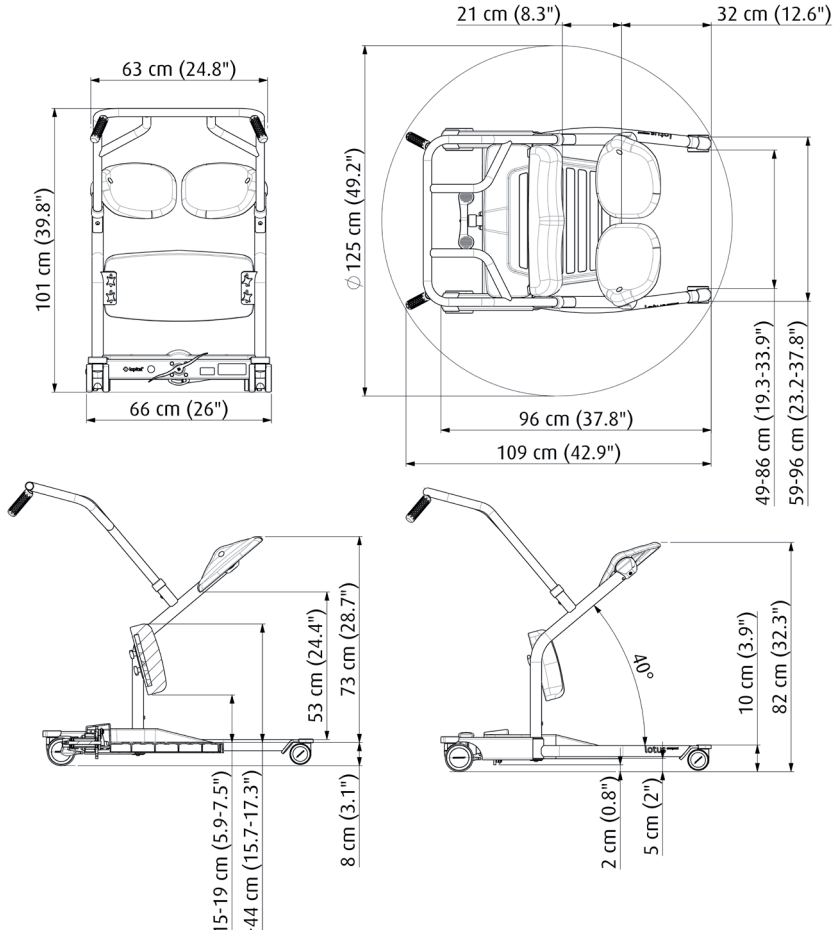


7.2. Dimensions

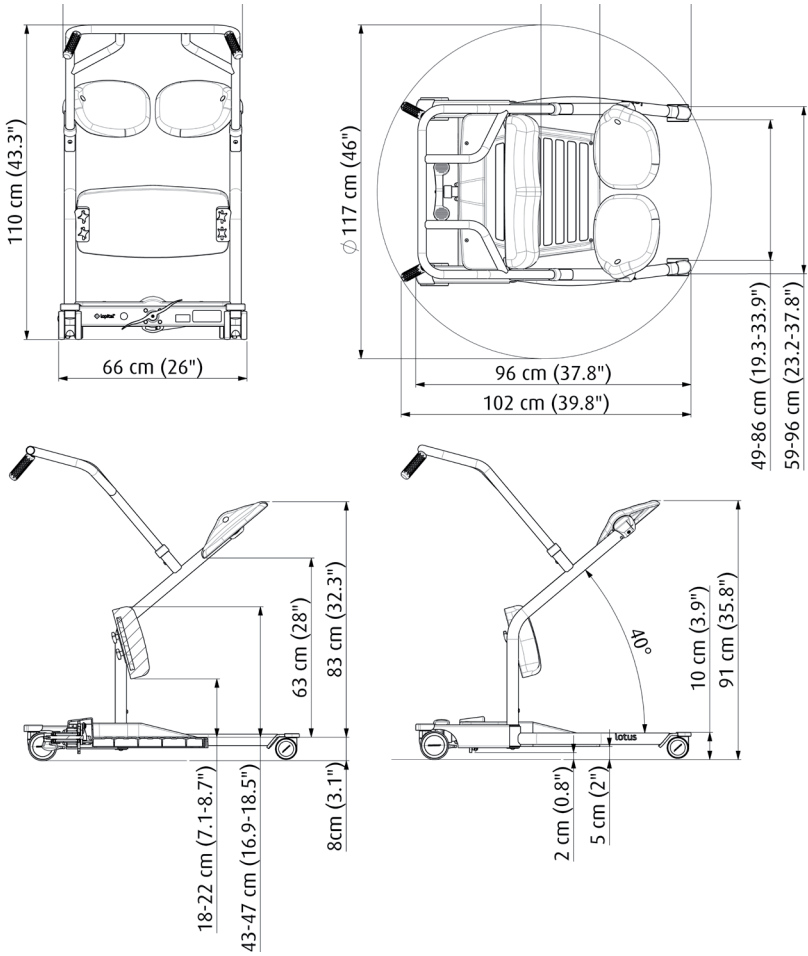
Lotus



Lotus compact



Lotus XL





If caregivers have a choice, they choose Lopital



11-2024

For more information, visit our website: www.lopital.com
Lopital Nederland B.V. Laarakkerweg 9, 5061 JR Oisterwijk,
Postbus 56, 5060 AB Oisterwijk, the Netherlands
Tel +31 (0)13 5239300, Email info@lopital.nl, www.lopital.com

